

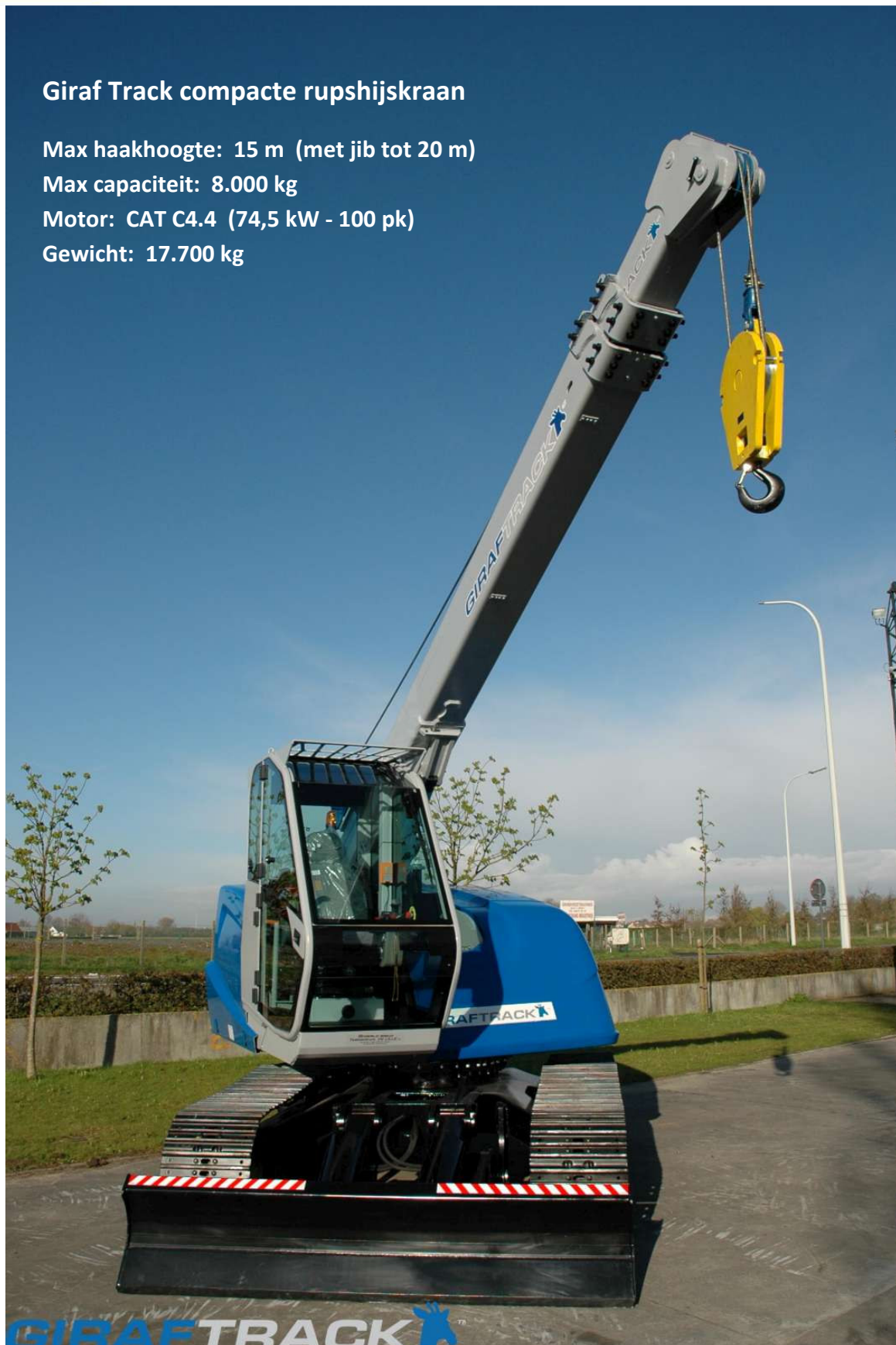
### Giraf Track compacte rupshijskraan

Max haakhoogte: 15 m (met jib tot 20 m)

Max capaciteit: 8.000 kg

Motor: CAT C4.4 (74,5 kW - 100 pk)

Gewicht: 17.700 kg



**GIRAFTRACK**™

TRUCK & TRAILER SERVICE

# GARAGE **LUC GELAUDE** BVBA

Industriepark 12 - 8730 BEERNEM - Tel. 050/79 02 18



**GIRAFTRACK** 

SERVICE  
**BERDEX**

[info@lucgelaude.be](mailto:info@lucgelaude.be) - [www.lucgelaude.be](http://www.lucgelaude.be)

 **MERLO**

TRUCK & TRAILER SERVICE

# GARAGE **LUC GELAUDE** BVBA

Industriepark 12 - 8730 BEERNEM - Tel. 050/79 02 18



**GIRAFTTRACK** 

SERVICE  
BERDEX

[info@lucgelaude.be](mailto:info@lucgelaude.be) - [www.lucgelaude.be](http://www.lucgelaude.be)

 **MERLO**

TRUCK & TRAILER SERVICE

# GARAGE **LUC GELAUDE** BVBA

Industriepark 12 - 8730 BEERNEM - Tel. 050/79 02 18



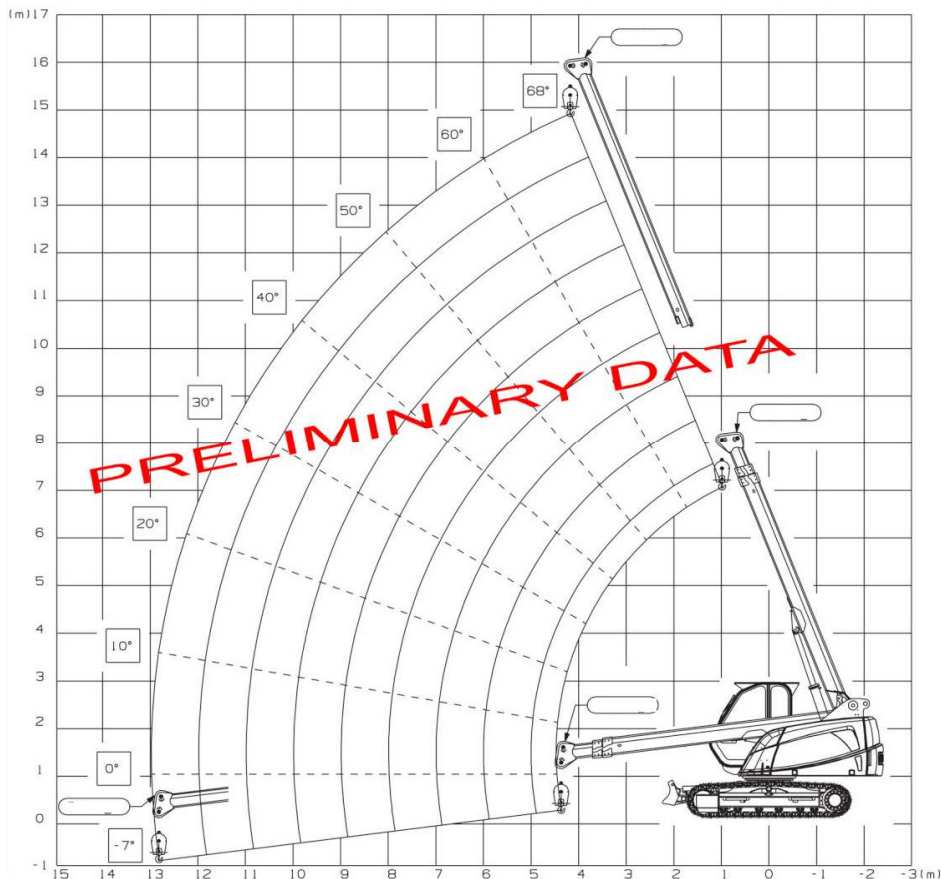
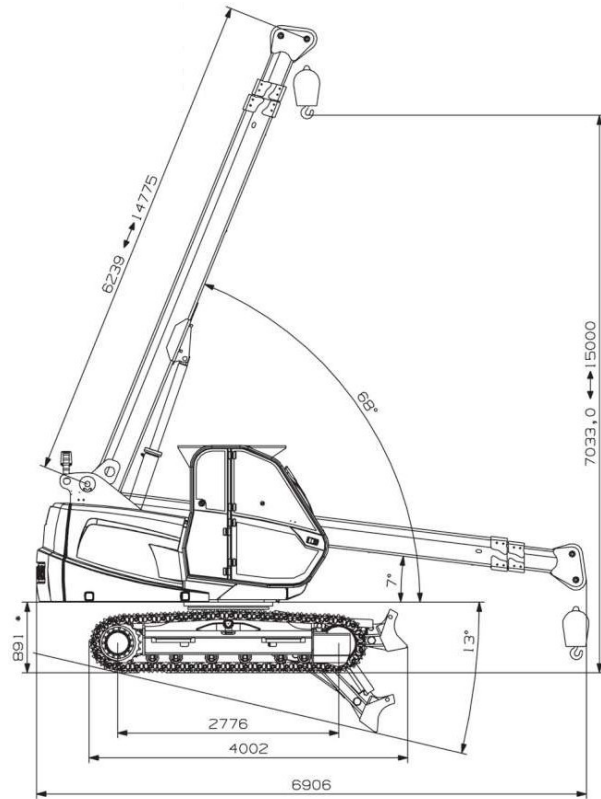
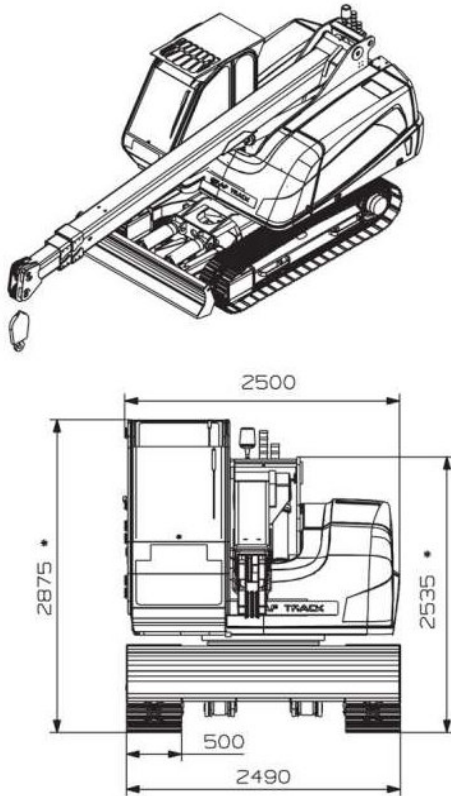
SERVICE  
**BERDEX**

[info@lucgelaude.be](mailto:info@lucgelaude.be) - [www.lucgelaude.be](http://www.lucgelaude.be)



# GARAGE **LUC GELAUDE** BVBA

Industriepark 12 - 8730 BEERNEM - Tel. 050/79 02 18



TRUCK & TRAILER SERVICE

# GARAGE **LUC GELAUDE** BVBA

Industriepark 12 - 8730 BEERNEM - Tel. 050/79 02 18



**GIRAFTRACK** 

SERVICE  
BERDEX

[info@lucgelaude.be](mailto:info@lucgelaude.be) - [www.lucgelaude.be](http://www.lucgelaude.be)

 **MERLO**