



MADE IN MERLO

Panoramic



MERLO

Panoramic

PERPETUALLY TOP OF THE CLASS

That longevity was in the genetics of the PANORAMIC range was evident as far back as 1987 when Merlo launched the world's first telehandler with side engine. Over the years its unique design and construction architecture has been a source of inspiration for many manufacturers. The PANORAMIC range has been skilfully evolved during this time with exclusive technological innovations, the use of dedicated materials and an unparalleled level of safety. Today, MERLO S.p.A is proud to present the New PANORAMIC range that encompasses all the features that have taken them unsurpassed to the top of the category. Today the New PANORAMIC stand out for the new high-comfort cab, for the completely renewed axles, for the use of technology that increases safety standards and an unparalleled level of performance and efficiency. PANORAMIC has always been more than just a telehandler.



The 6 winning points:

1 Safety

2 Precision

3 Comfort

4 Manoeuvrability

5 Versatility

6 Efficiency

5 – Versatility

Fully compatible, with the wide choice of attachments specifically designed for Merlo telehandlers and interfaced with the exclusive automatic recognition system, allows PANORAMIC to operate in numerous situations even the most demanding, thereby increasing its versatility.

6 – Efficiency

Easier or smarter, the whole range is equipped with hydrostatic transmission, the models with 100 hp engine are equipped with the Eco Power Drive - EPD-electronic management that allows to reduce the engine rpm where high power is not required. In addition, the dry disc brakes make it possible to limit the absorption of energy thereby reducing the consumption of the machine.

1 – Safety

Not just perceptions, but top-notch safety thanks to the levelling system, which allows to correct the lateral pitch up to 11° in order to lift the load vertically; and the automatic load management system - MCDC - as standard. In addition, FOPS - Level II - and ROPS certified cabs.

2 – Precision

All at your fingertips, guaranteeing maximum precision in the movements, thanks to the hydrostatic transmission that ensures millimetric variations in the machine's movements and in positioning the load, through the sideshift system of the boom that allows lateral movements of up to 44.5 cm without moving the machine.

3 – Comfort

The finest workplace, the new cab mounted on the Silent-block that drastically reduces vibrations, and its generous size ensures maximum comfort and maximum visibility for all operators. The tac-lock system for the hydraulic clamping of attachments, improves operating comfort even further.

4 – Manoeuvrability

A matter of size, a compact and lightweight machine to reduce the manoeuvring space and impact on the ground. The stabilisers, within the footprint of the machine, do not increase its size when in use, allowing to stabilize the telehandler in any situation.



Panoramic range

• **ENTRY** version tailored to your needs

The ENTRY models offer essential features and a simple interface. Developed to meet the needs of every construction site, rental company and large construction company, they guarantee high-level performance and economic efficiency. The PANORAMIC models are easy-to-use machines that ensure reliability and performance. The new high-visibility cab, the four-wheel drive, the high ground clearance and the 55kW-75HP engine guarantee excellent results in terms of performance, comfort and safety.

• The **PLUS** version – the technology of the future

The PLUS models have been developed to offer the highest level of technology in terms of efficiency, performance and versatility of use to serve the most demanding operators. The engine, in compliance with the strict Tier 4B emission regulations, builds up a power of 75kW-101HP and, combined with the hydrostatic transmission with “EPD” electronic management system, guarantees a maximum speed of 40km/h while maintaining a low fuel consumption typical of MERLO telescopic handlers.

Complete machine management

The large 10.1” colour display, standard on the PLUS versions, shows all machine operating information. Scroll through the pages using the wheel control, positioned on the dashboard, through which it is possible to set the machine functional limits, such as maximum speed regulation of the movements and geometric limitation of the work areas. The information related to machine management is displayed simply and intuitively. The page related to the load diagram is updated in real time based on the operating conditions, i.e. it allows for instant visualisation of information pertaining to safety and stability.



Stabilisers

The PANORAMIC range's stabilisers are simply structured to optimise fast and safe installation. The exclusive design of the stabilisers, developed to offer a high structural resistance, guarantees their limited encumbrance during the operating phases, always staying within the machine's silhouette and limiting the visual encumbrances for the transfer phases. The independent control allows the single operation of each stabiliser, enabling a simpler positioning on the ground. The shape of the supporting foot guarantees excellent anchoring to the ground even on soft or steep terrain.



Levelling and boom side-shift

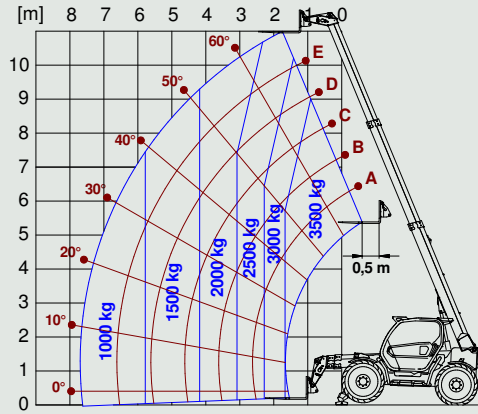
The PANORAMIC telescopic handlers are equipped, as standard, with two unique devices that have always set the Merlo telescopic handlers apart from the rest: the transversal levelling of the chassis and the boom side-shift.

The levelling makes it possible to recover transversal slopes, both by operating on tyres and stabilisers, allowing for a perfectly vertical lifting of the boom and guaranteeing maximum safety conditions. The boom side-shift maximises operational precision, reducing the processing times, thanks to the horizontal displacement of the load with telescopic handler at a standstill. This movement reaches 445mm per side without compromising the vehicle's stability and safety.

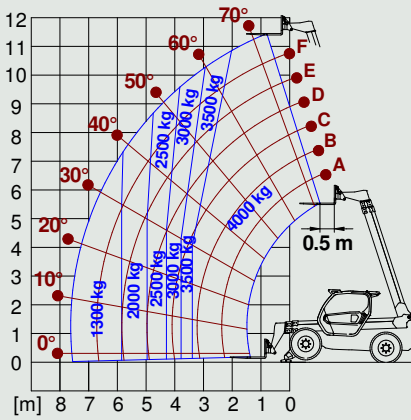


Load Chart

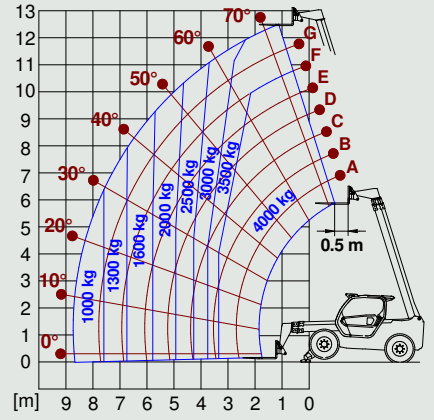
Panoramic 35.11



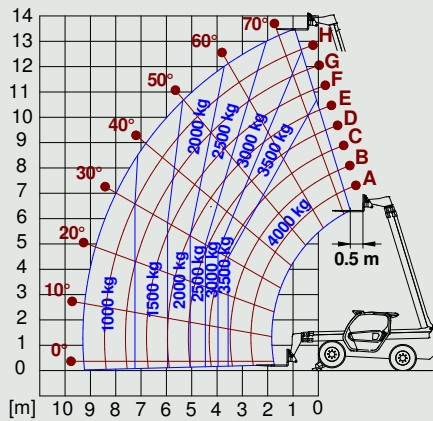
Panoramic 40.12



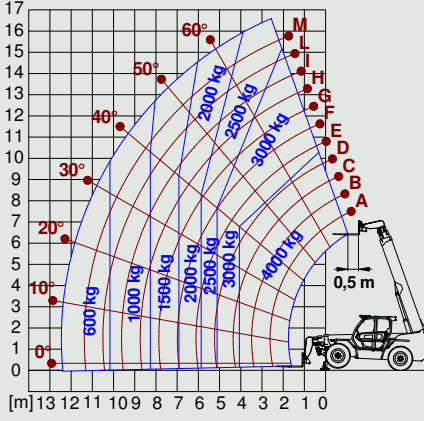
Panoramic 40.13



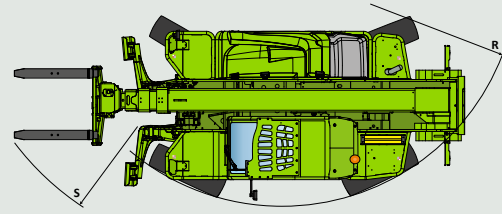
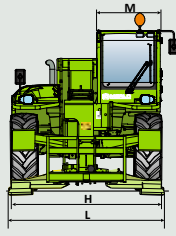
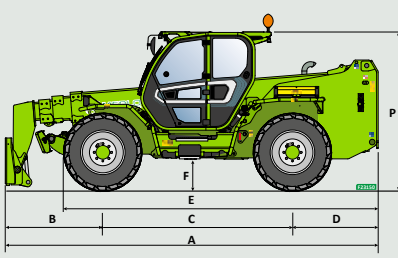
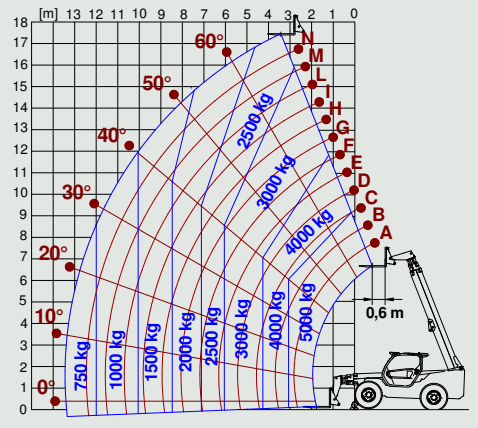
Panoramic 40.14



Panoramic 40.17



Panoramic 50.18



Dimensions

		A	B	C	D	E	F	H	L	M	P	R	S
P35.11	mm	5055	1610	2800	645	3976	460	2290	2365	1010	2530	3985	5200
P40.12	mm	5010	1290	2810	910	4260	375	2240	2380	1010	2425	3920	4900
P40.13	mm	5410	1690	2810	910	4260	375	2240	2380	1010	2425	3920	4940
P40.14	mm	5750	1645	2810	1295	4640	375	2240	2380	1010	2425	3920	5040
P40.17	mm	5970	1705	2810	1315	4852	450	2420	2550	1010	2500	4050	5160
P50.18	mm	6190	1745	3060	1385	5067	485	2460	2550	1010	2535	4265	5611

Model	P35.11	P40.12	P40.13	P40.14	P40.17	P50.18 Plus
Performance						
Unladen weight (kg)	8900	9200	9300	9950	11670	13300
Maximum load capacity (kg)	3500	4000	4000	4000	4000	5000
Lift height (m)	11	11,5	12,5	13,5	16,6	17,5
Maximum reach (m)	7,8	7,6	8,74	9,3	12,47	13,5
Lift height at max. load capacity (m)	9	11,5	10,9	10,7	10,3	9,2
Reach at max. load capacity (m)	2	3,4	3,3	3,56	4,06	3,7
Load capacity at max. lift height (kg)	2500	4000	3500	3000	2500	2500
Load capacity at max. reach (kg)	1000	1300	1000	1000	600	750
Boom side-shift (mm)	+/- 310	+/- 330	+/- 340	+/- 345	+/- 435	+/- 445
Frame levelling (%)	+/- 8	+/- 8	+/- 8	+/- 8	+/- 8	+/- 8
Powertrain						
Engine	Deutz TD2.9	Deutz TD2.9	Deutz TD2.9	Deutz TD2.9	Deutz TD2.9	
Range / cylinders	2900/4	2900/4	2900/4	2900/4	2900/4	
Engine power (kW/HP)	55,4/75	55,4/75	55,4/75	55,4/75	55,4/75	
Maximum speed (km/h)	33	33	33	33	33	
Hydrostatic transmission	Yes - 2V	Yes - 2V	Yes - 2V	Yes - 2V	Yes - 2V	
EPD	NO	NO	NO	NO	NO	
PLUS Version Powertrain						
Engine		Deutz TCD3.6	Deutz TCD3.6	Deutz TCD3.6	Deutz TCD3.6	Deutz TCD3.6
Range / cylinders		3600/4	3600/4	3600/4	3600/4	3600/4
Engine power (kW/HP)		75/102	75/102	75/102	75/102	75/102
Maximum speed (km/h)		40	40	40	40	40
Hydrostatic transmission		Yes - 2V	Yes - 2V	Yes - 2V	Yes - 2V	Yes - 2V
EPD		STD	STD	STD	STD	STD
Hydraulic system						
Hydraulic pump	LS	LS	LS	LS	LS	LS
Delivery/pressure (l/min-bar)	117 - 210	104 - 250	104 - 250	104 - 250	104 - 250	104 - 250
Cab						
Cab finishing	ECO	ECO	ECO	ECO	ECO	
MCDC	Light	Light	Light	Light	Light	
Controls	Electromechanical joystick control	Electronic joystick control	Electronic joystick control	Electronic joystick control	Electronic joystick control	
PLUS Version Cab						
Cab finishing		ECO	ECO	ECO	ECO	ECO
MCDC		Full	Full	Full	Full	Full
Controls		Electronic joystick control	Electronic joystick control	Electronic joystick control	Electronic joystick control	Electronic joystick control

MERLO MOBILITY

Always connected

The Merlo telescopic handler range offers exclusive technology, making their telescopic handlers even smarter and more connected. The customer, through the MerloMobility 4.0 CONNECTIVITY SYSTEM, can fully utilise the information detected by the machines and transferred to a portal. Merlo Mobility is a flexible tool to optimise the machine's operational monitoring in the various sectors of activity.



MERLO S.P.A.

Via Nazionale, 9 - 12010 S. Defendente di Cervasca - Cuneo - Italia

Tel. +39 0171 614111 - Fax +39 0171 684101

www.merlo.com - info@merlo.com