

PANORAMIC 0809 - XG



The supremacy of ideas.

PANORAMIC

P 40.8 PLUS

P 40.8

P 40.9 PLUS

P 40.9



CHARACTERISTICS AND PERFORMANCE



Cab

- Complies with ISO 3449 (FOPS) and ISO 3471 (ROPS) standards.
- Hydraulic lever controls (P 40.8 and P 40.9) or "4 x 1" electro-proportional joystick (PLUS models).

Boom

- Telescopic, with sections sliding on adjustable low-friction pads.
- Hydraulic extension mechanism, hydraulic pipes and electrics are totally enclosed within the boom assembly to ensure maximum protection and reliability.
- Integral boom side-shift mechanism.

Quick-attach carriage

- The Tac-Lock quick attachment fitting system is hydraulically controlled from the cab.
- Standard double-acting hydraulic service, with quick couplings, for the operation of hydraulically powered attachments.

Frame levelling

- Hydraulically operated from the cab. Frame levelling $\pm 10\%$.

Forks

- Floating type. Length 1200mm. Section 130 x 50mm.
- Fork spacing is manually adjustable between 450 and 1010mm.

Steering

- Four drive/steer wheels, with automatic wheel synchronisation in the event of any misalignment and selection of three steering modes from the cab.

Engine

- Direct injection, water cooled, 4 cylinder Perkins Euro 2 diesel engine producing 64kW-86HP (naturally aspirated) and 74.5kW-101HP (turbo) at 2400rpm (97/68/CE).

Transmission

- Hydrostatic with electronically controlled variable displacement pump.
- Continuous and automatic speed variation, from zero to maximum speed, solely with the accelerator pedal.
- Two-speed mechanical range gearbox.
- Inching-Control pedal to proportionately reduce travel speed whilst maintaining high engine speed for hydraulic operation e.g. during loading operations.
- Finger-Touch system makes it possible to change between forward and reverse direction with the driver keeping both hands firmly on the steering wheel.

- Permanent four-wheel drive.
- Portal axles ensuring excellent ground clearance.

Braking system

- Disc service brakes on all 4 wheels, hydraulically operated and acting on the differential output shafts.
- Disc parking brake with automatic locking feature and hydraulic release control, acting on the main transmission shaft.

Hydraulic system

- Variable delivery Load-Sensing pump.
- Maximum operating capacity: 108lpm.
- Working pressure: 210bar.

Electrics

- 12V system with 100Ah battery and 90A alternator.
- Full road lighting and rotating beacon.
- Manual battery isolator switch (optional automatic switch).

Service capacities

- Hydraulic oil: 95 litres
- Diesel fuel: 155 litres
- Hydrostatic oil: 12 litres
- Engine oil: 8.5 litres
- Coolant: 12 litres

Tyres

- 400/70-20.

Available options

- Rear axle differential lock.
- Automatic battery isolator.
- Manual control air conditioning.
- Windscreen wiper on the roof window.
- Four working lights on the cab (two front lights and two rear)⁽¹⁾.
- Pneumatic seat.
- BSS boom suspension system.
- Roof and front window mounted sun blinds⁽¹⁾.

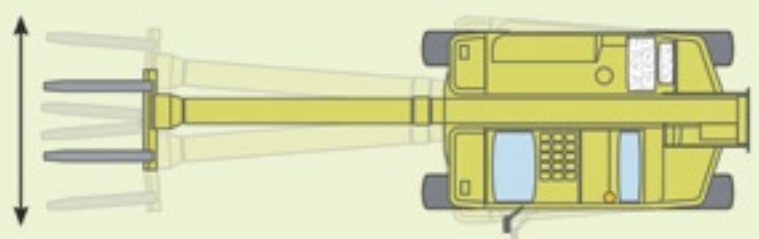
⁽¹⁾ Standard on PLUS models.

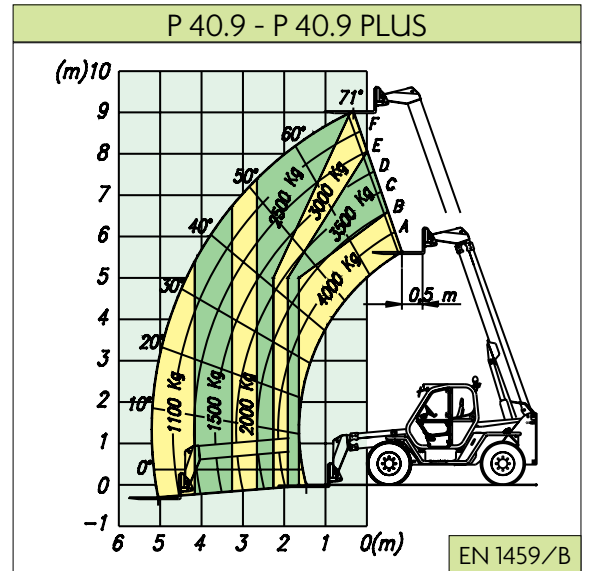
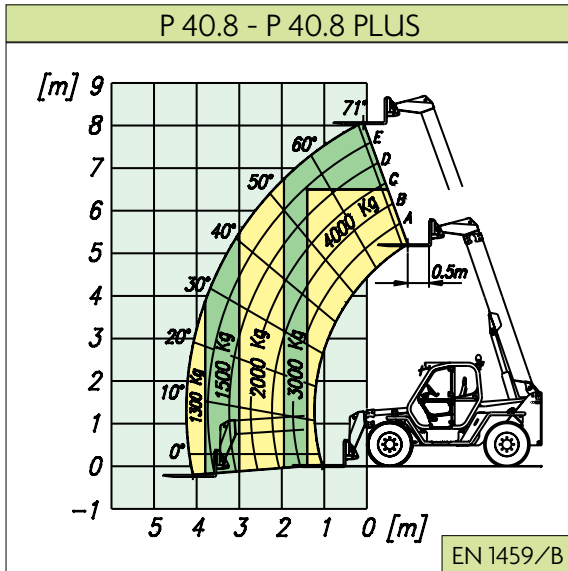
Boom side-shift - a Merlo exclusive

The integral chassis side-shift mechanism gently swings the upper part of the chassis, and with it, the telescopic boom across the longitudinal axis of the machine. The load can be precisely placed without repositioning the machine. Using the side-shift mechanism in no way detracts from the performance or stability of the Panoramic as it is an integral part of the design, not a mere attachment, and produces the following maximum sideways displacement.

PANORAMIC		P 40.9 ⁽¹⁾	P 40.8 ⁽¹⁾
Side-shift	mm	± 230	± 205

⁽¹⁾ All versions

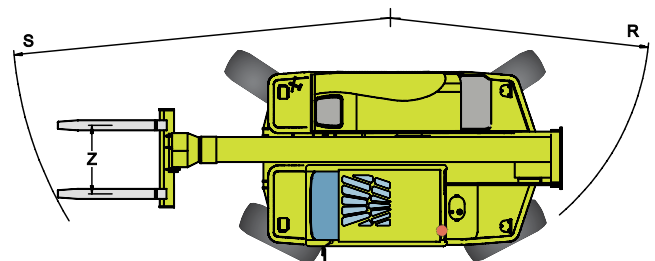
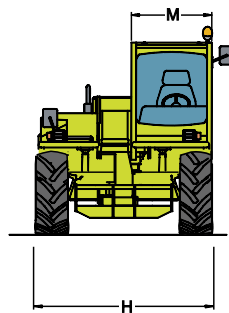
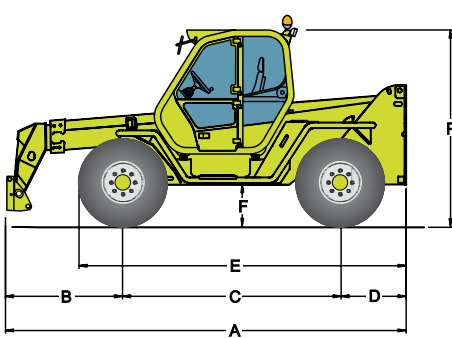




PANORAMIC		P 40.9	P 40.9 PLUS	P 40.8	P 40.8 PLUS
Weight					
Total empty weight (with forks)	kg	7750	7750	7600	7600
Performance					
Rated maximum load	kg	4000	4000	4000	4000
Maximum lift height	m	9.07	9.07	8.24	8.24
Maximum forward reach	m	5.2	5.2	4.3	4.3
Lift height at full capacity	m	6.5	6.5	6.5	6.5
Reach at full capacity	m	1.7	1.7	1.35	1.35
Capacity at full lift height	kg	3000	3000	3000	3000
Capacity at full forward reach	kg	1100	1100	1300	1300
Low emission (Euro 2) engine		nat. asp.	turbo	nat. asp.	turbo
Power at 2400rpm (97/68/CE)	kW/HP	64/86	74.5/101	64/86	74.5/101
Speed ratios					
1 st gear	kph	7	16	7	16
2 nd gear (self-limiting maximum speed)	kph	25	40	25	40

PANORAMIC	P 40.9	P 40.9 PLUS	P 40.8	P 40.8 PLUS
Dimensions				
A	mm	4995	4995	4635
B	mm	1430	1430	1070
C	mm	2750	2750	2750
D	mm	815	815	815
E	mm	4100	4100	4100
F	mm	480	480	480
H	mm	2220	2220	2220
M	mm	995 ⁽¹⁾	995 ⁽¹⁾	995 ⁽¹⁾
P	mm	2440	2440	2440
R	mm	3920	3920	3920
S	mm	4900	4900	4780
Z	mm	850	850	850

⁽¹⁾ Useful internal width



The side mounted engine ensures excellent accessibility for maintenance. Technicians can work in total safety with their feet firmly on the ground.

Optional roof and front window mounted sun blind (standard on PLUS models) keeps the sun from the operator's head and eyes.

A manually-controlled air conditioning system is available as an option.





Help is always nearby

Day after day, choosing a Merlo product brings the advantages of the most advanced technology and the practicality of safe and comfortable equipment, of which the very best can be expected.

Merlo Service ensures a close and continuing bond with the customer, provided by a worldwide network of more than 500 Service Centres guaranteeing experienced and trained technical assistance close at hand.

Building professionalism

Evidently, carelessness and a lack of respect for the basic principles of safety are often the causes of accidents with lifting equipment, often through the lack of an adequate training scheme. The close link between training and safety is a part of everyone's experience and must be continually updated as part of our professional development, a role for which the new Merlo Research and Training Centre is admirably suited.



MERLO S.P.A.

Via Nazionale 9

12020 S. Defendente di Cervasca - Cuneo - Italia

Tel. +39 0171 614111 - Fax +39 0171 614100

www.merlo.com info@merlo.com

COMPANY
WITH QUALITY MANAGEMENT
SYSTEM CERTIFIED BY DNV
ISO 9001:2000